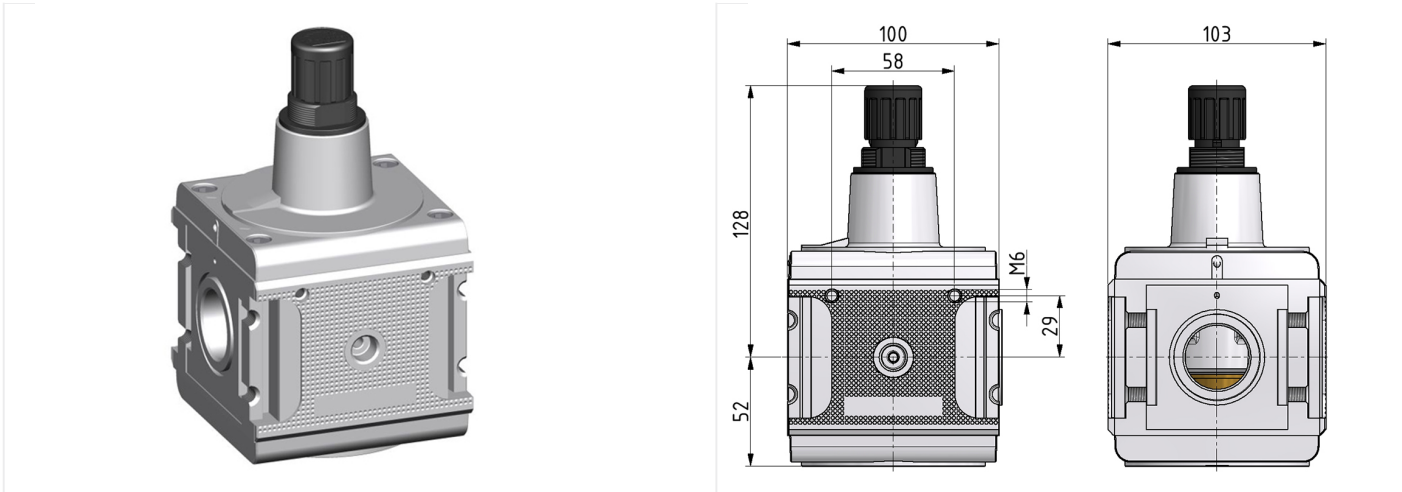


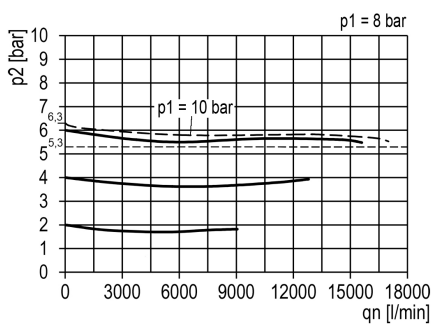
Pressure-regulator of the Multi-Fix series

Pressure regulator G1 0,5-10

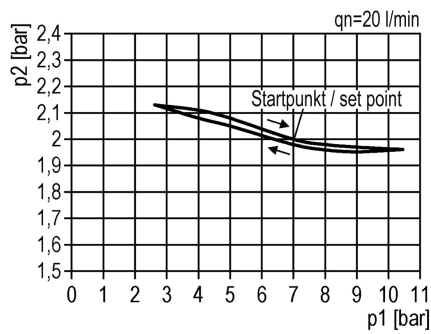


type	part-number	series	port size	flow rate	adjustment range P2 max.	weight
R.55	9.1755.00.000	Multi-Fix	G 1	17500 l/min	10 bar	1.656 kg

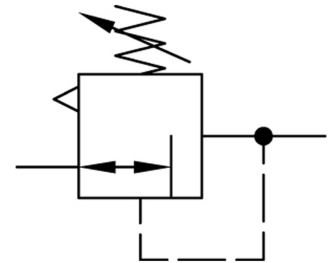
flow characteristic



pressure characteristic



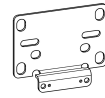
symbol



technical data

- **description:** air line regulator with diaphragm and relieving feature, pilot operated
- **medium:** compressed air, neutral gases
- **supply pressure P1 max.:** 16 bar
- **temperature range:** -10°C - +60°C
- **air consumption:** max. 0,5 l/min

accessories



- mounting bracket: [ZW.55](#)

- lockable setting knob possible