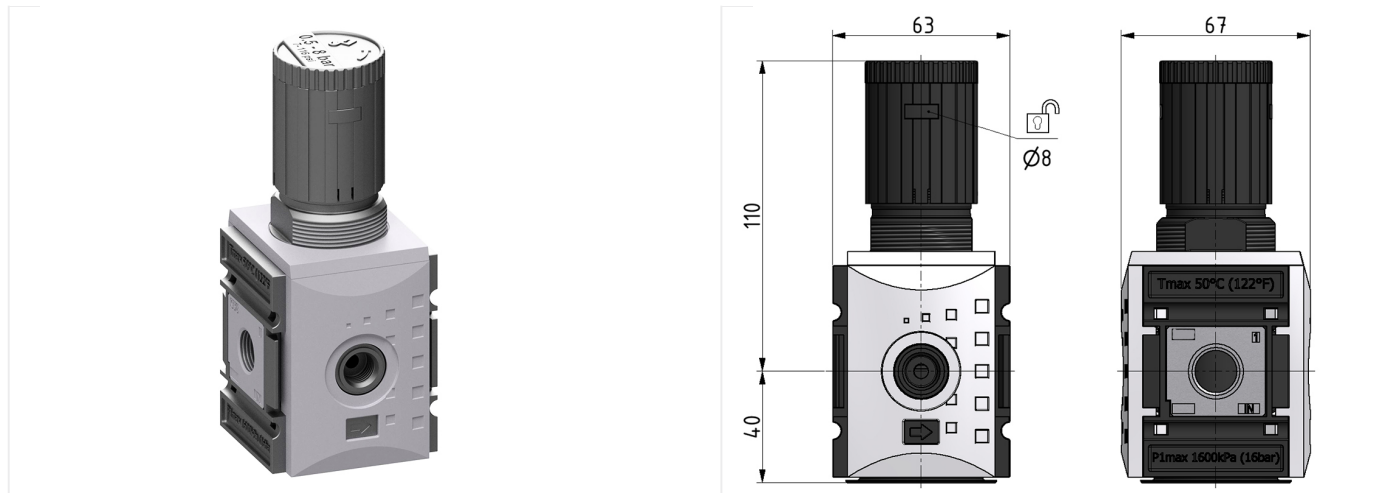
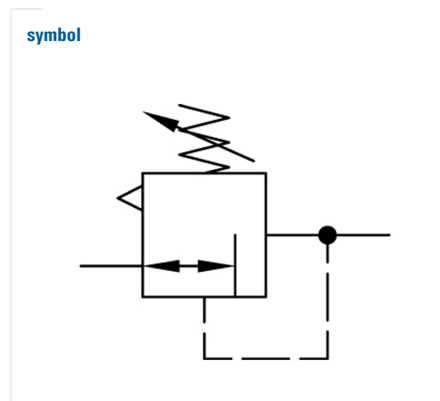
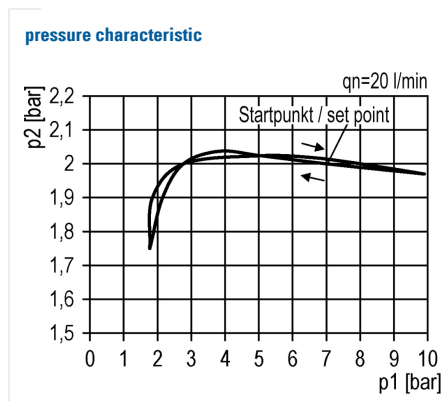
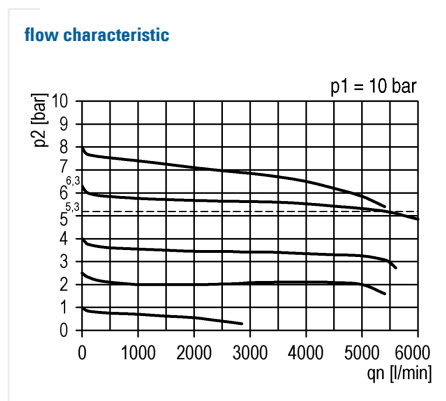


## Pressure-regulator of the Futura series

Pressure regulator G1/2 0,5-8



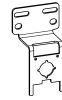
type	part-number	series	port size	flow rate	adjustment range P2 max.	weight
KREG-212/8	91702.EE00	Futura	G 1/2	5200 l/min	8 bar	0.492 kg



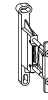
**technical data**

- **description:** air line regulator with diaphragm and relieving feature
- **medium:** compressed air, neutral gases
- **supply pressure P1 max.:** 16 bar
- **temperature range:** -10°C - +50°C
- **locking:** rotary lock or padlock possible

**accessories**



- mounting bracket:  
[KBW 2-1225](#)



- coupling kit wall mounting:  
[KKOP 2W](#)



- control panel mounting:  
[KBW 2-1227 + SM 2](#)

- rotary lock: VH.31 without key or VH.32 with key