

Filter regulator | BG1

Service 3 unit

Service 2 unit



Image shows:
9.1911.00.005.0V

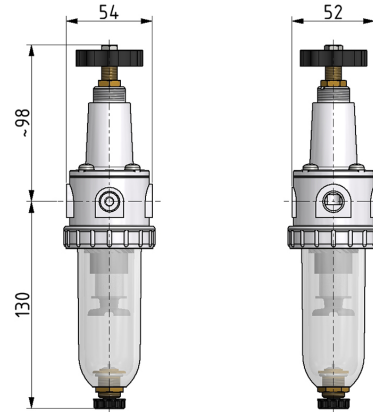
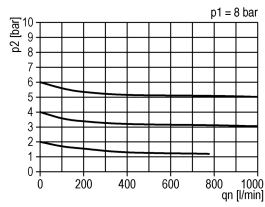


Image shows:
9.1911.00.005.0V

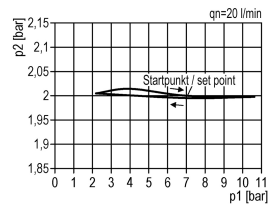
Filter regulator

Filter

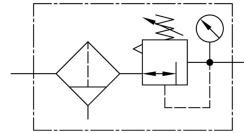
flow characteristic



pressure characteristic



symbol



Pressure regulator

Lubricator

System extensions

technical data

- **description:** sinter filter centrifugal principle, diaphragm-type pressure with relieving feature
- **medium:** compressed air, neutral gases
- **supply pressure P1 min.:** 1,5 bar
- **supply pressure P1 max.:** 16 bar
- **temperature range:** -10°C - +60°C
- **bowl:** PC
- **drain:** HA3
- **mounting:** vertical
- **filter element:** 5 µm

accessories

- **mounting bracket:** [BW.10](#)
- **control panel mounting:** nut DR.11-7

Accessories

Special products

type	part-number	description
FD.11 HA3	9.1911.00.005.0V	Filter regulator G1/4 0,5-10 5µm with PC bowl and semi automatic drain
FD.11 M HA3	9.1911.00.007.0V	Filter regulator G1/4 0,5-10 5µm with metal bowl and semi automatic drain
FD.12 HA3	9.1912.00.005.0V	Filter regulator G3/8 0,5-10 5µm with PC bowl and semi automatic drain