

## Pressure regulator pilot control | BG3



Image shows:  
9.1532.00.200.0V

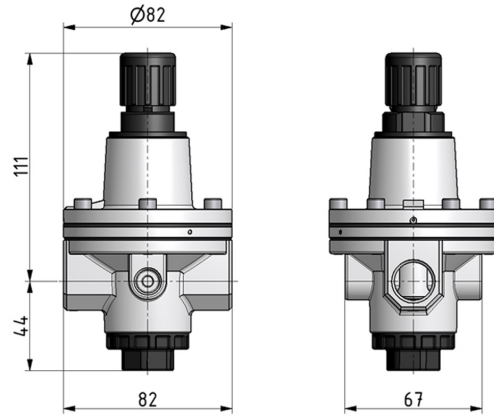
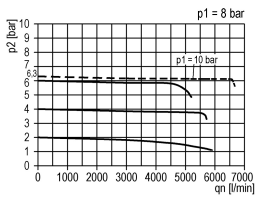
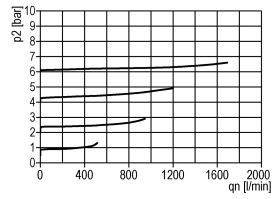


Image shows:  
9.1532.00.200.0V

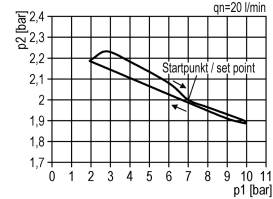
### flow characteristic



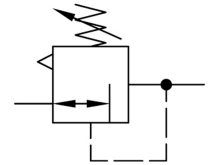
### exhaust characteristics



### pressure characteristic



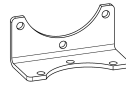
### symbol



### technical data

- **description:** air line regulator with diaphragm and high relieving feature, pilot operated
- **medium:** compressed air, neutral gases
- **supply pressure P1 max.:** 16 bar
- **temperature range:** -10°C - +60°C
- **air consumption:** < 1 l/min at P2 6 bar

### accessories



- **mounting bracket:**  
[FDR.03-52](#)

type	part-number	description
DRP.32 HR	9.1532.00.200.0V	Pressure regulator G3/8 0,5-10 pilot control
DRP.33 HR	9.1533.00.200.0V	Pressure regulator G1/2 0,5-10 pilot control

Service 3 unit

Service 2 unit

Filter regulator

Filter

Pressure regulator

Lubricator

System extensions

Accessories

Special products